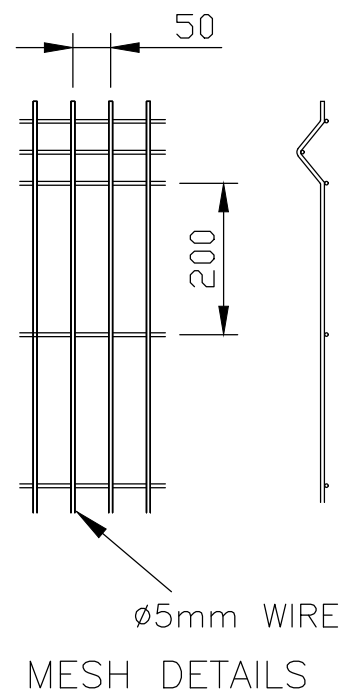


FIXING BRACKET
DETAIL



NOTES.

ALL DIMENSIONS ARE IN mm (UNO)
GAPS UNDER GATES ARE
NOMINAL DUE TO GROUND LEVELS.

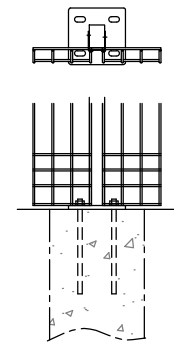
MATERIALS.

POST: 60 x 40 RHS (TYPICAL)
(POSTS ASSESSED TO SITE LOCATION)

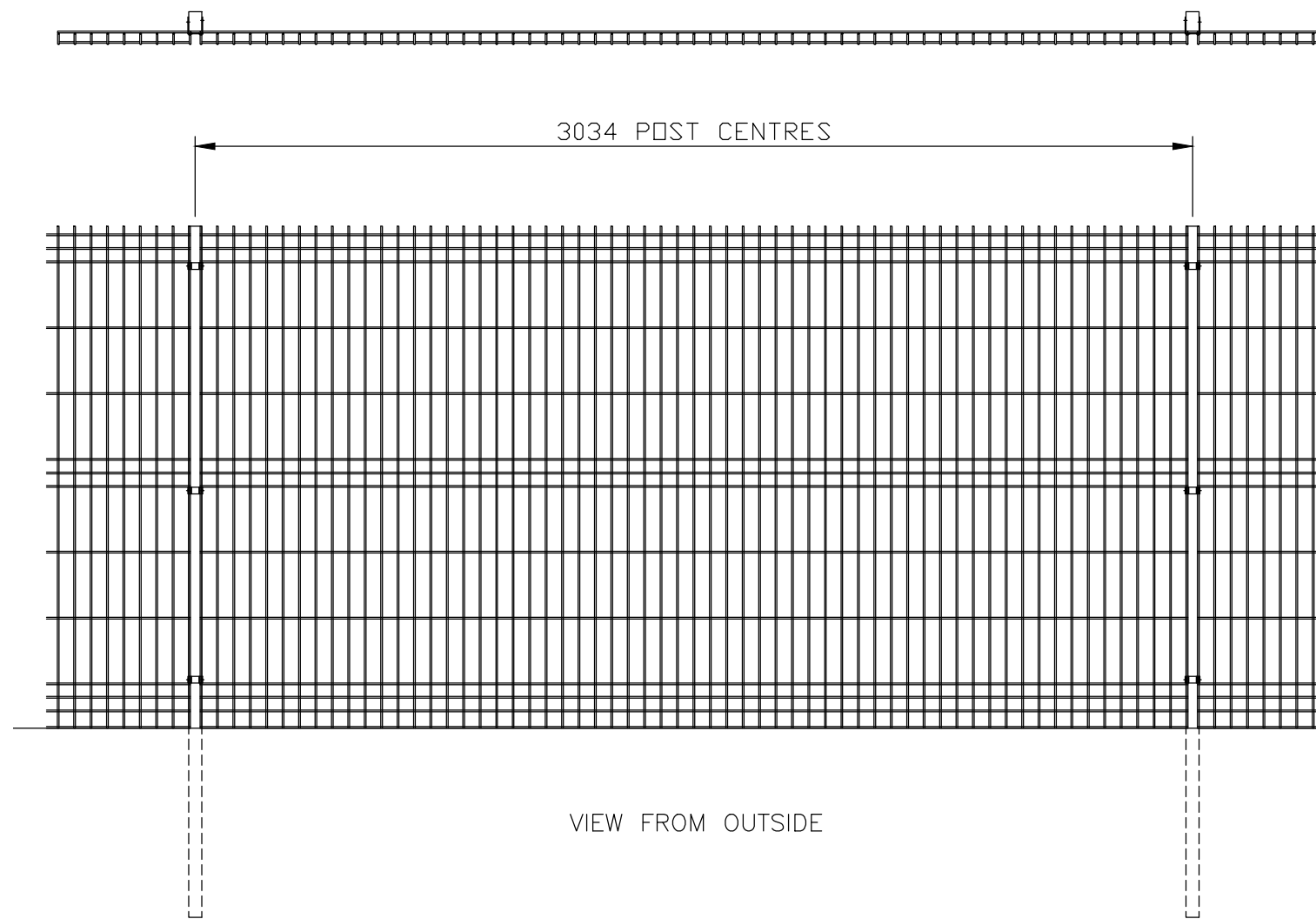
FINISH.

GALVANISED TO BS EN ISO 1461
POWDER COATED: IF REQUESTED

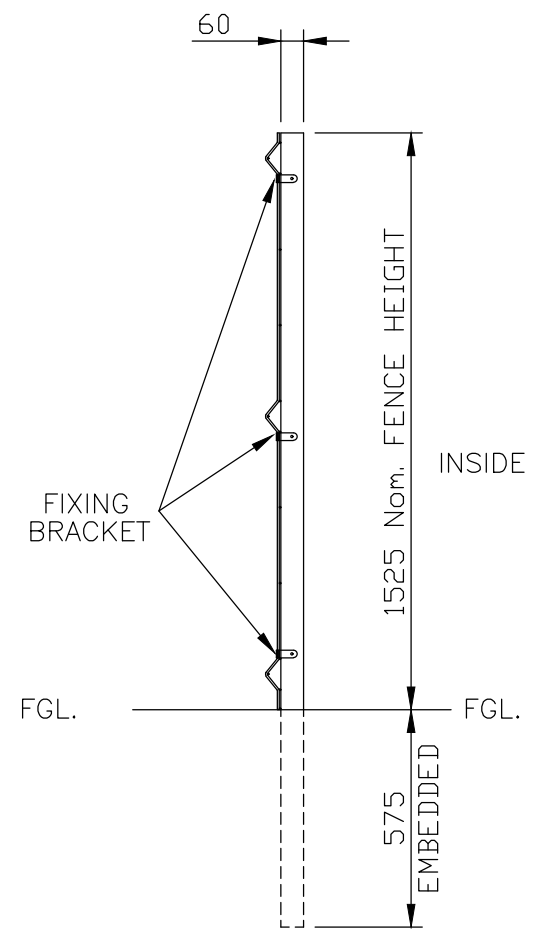
150 x 10 thk x 150
BASEPLATE DRILLED FOR
4 No. M12 CHEMICAL FIXINGS



BASEPLATED POSTS
(OPTIONAL)



VIEW FROM OUTSIDE



**Jacksons
Fencing**

Stowting Common, Near Ashford,
Kent. TN25 6BN
Telephone: 01233 750393
Fax: 01233 750403
www.jacksons-fencing.co.uk

This Drawing Is The Property Of H.S. Jackson & Son (Fencing) Ltd, And May
Not Be Copied Or Reproduced In Any Way Without Prior Written Permission.

DO NOT SCALE – IF IN DOUBT ASK

- ⑥ 19/02/2020 NEW BORDER + NOTES UPDATED
- ⑤ 25/06/2018 BASEPLATE OPTION
- ④ 25/02/11 50mm Wire Centres
- ③ 04/01/10 Panels Corrected
- ② 10/11/09 POST EMBEDMENT

Drawn	S.leeper
Date	15/06/2006
Checked	Chris J
Size	A3
Scale	1:20 U.O.S

TITLE	SALES DRAWING
	1.5m HIGH EUROGUARD REGULAR FENCE
CUSTOMER	
ACK No.	
Drawing No.	J6/01058
	Sheet 1