

CUSTOMER NAME:

ACK No.

SALESMAN:

L/H or R/H TO OPEN FIRST:

SPECIAL INSTRUCTIONS:

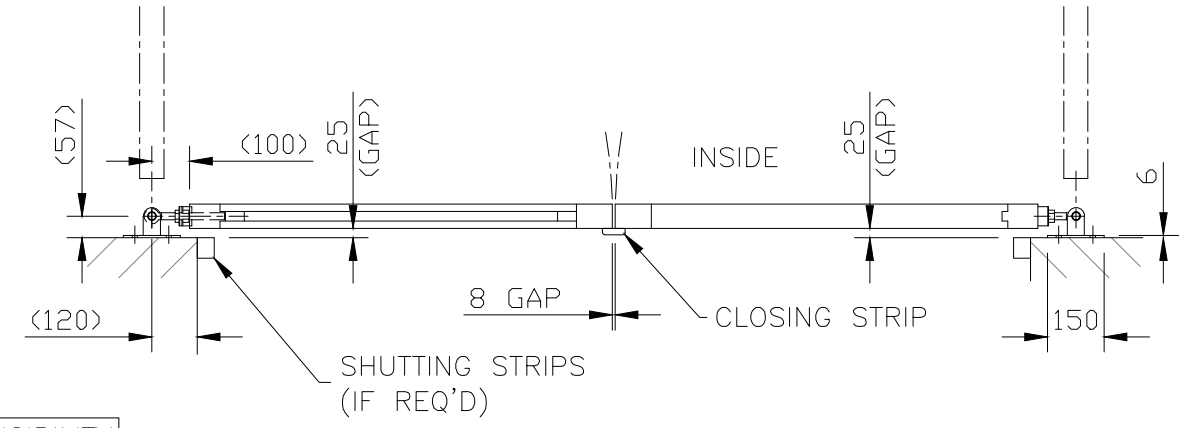
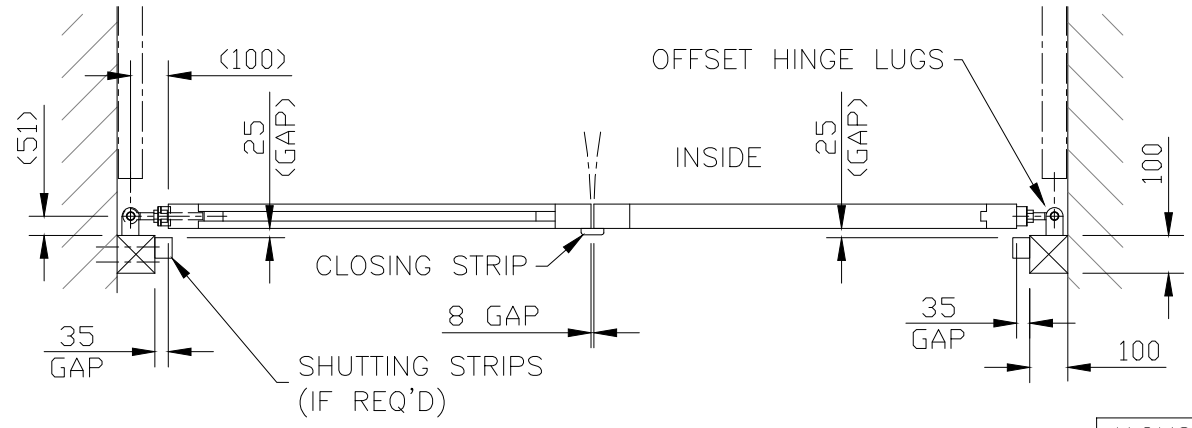
NOTES.
 ALL DIMENSIONS ARE IN mm (UNO)
 GAPS UNDER GATES & FENCING
 ARE NOMINAL DUE TO GROUND LEVELS.

MATERIALS.
 WALL POSTS: 100 x 100 SHS
 WALL PLATES: 100 x 6 MS FLAT

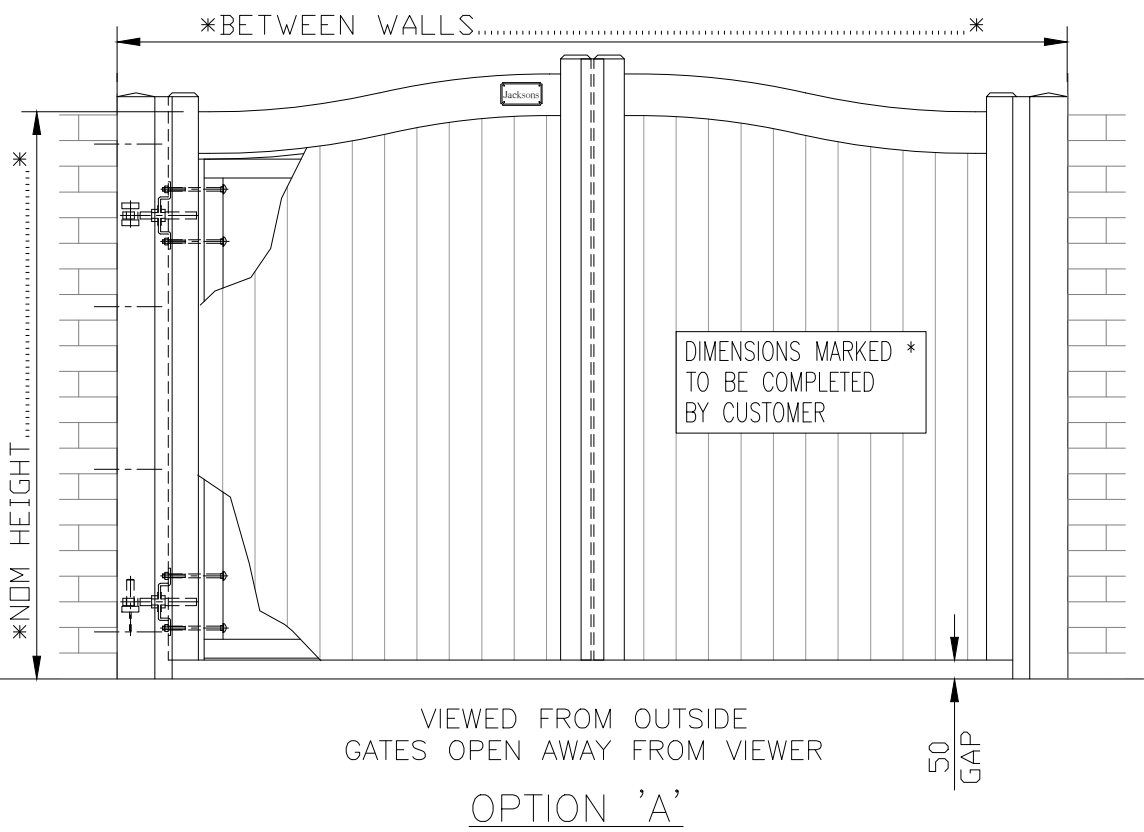
FINISH.
 TIMBER: JAKCURED
 GALVANISED TO BS EN ISO 1461
 POWDER COATED: IF REQUESTED

GATES CAN BE SUPPLIED WITH
 OPTIONAL FITTINGS PACK,
 WHICH INCLUDES:
 RING LATCH
 DROPBOLTS & RECEIVERS
 STOP POSTS & CABIN HOOKS
 CENTRE GATE STOP

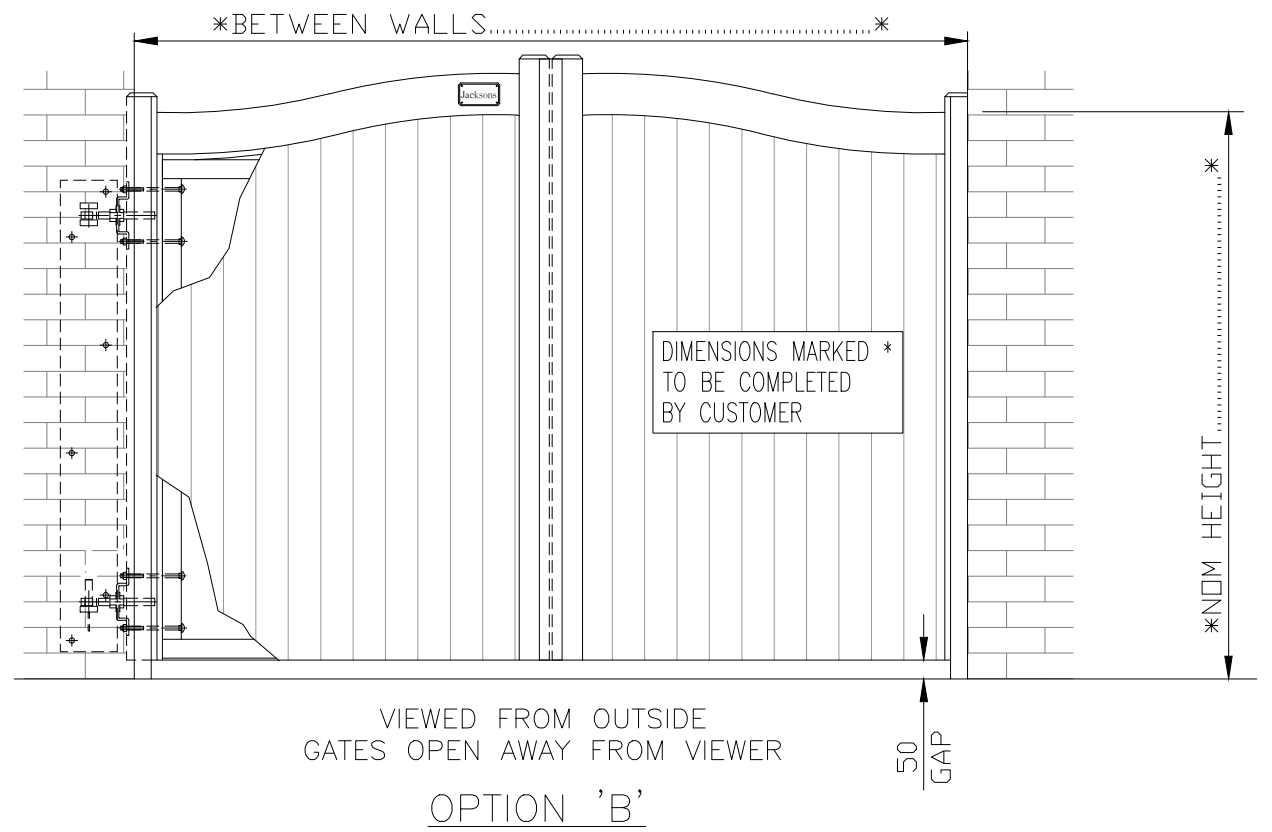
JACKSONS RESERVE THE RIGHT TO
 CHANGE THE STANDARD DESIGN TO
 IMPROVE THE PRODUCT AT ANY TIME



JACKSONS ACCEPT NO RESPONSIBILITY
 FOR THE STRENGTH & INTEGRITY
 OF BRICK WALLS OR PIERS



WALL PLATES ARE BOLTED
 TO WALLS OR PIERS.
 WALL PLATES ARE DRILLED
 FOR M12 FIXINGS.
 FIXINGS NOT SUPPLIED
 UNLESS ORDERED SEPARATELY



Jacksons Fencing
 Stowting Common, Near Ashford,
 Kent. TN25 6BN
 Telephone: 01233 750393
 Fax: 01233 750403
 www.jacksons-fencing.co.uk

This Drawing Is The Property Of H.S. Jackson & Son (Fencing) Ltd, And May Not Be Copied Or Reproduced In Any Way Without Prior Written Permission.

DO NOT SCALE – IF IN DOUBT ASK

6	27/04/2017	BORDER + BOT MID RAIL
5	14/12/09	S/Strip gap changed to 25mm
4	28/11/09	Stile Changed To 80 To View
3	26/08/09	CGS NOT OAK/TXT
2	19/01/07	BOTTOM HINGE

Drawn	WB
Date	10/01/06
Checked	
Size	A3
Scale	1:20 U.O.S

TITLE	SALES DRAWING – DOUBLE HYTHE COURTYARD ON WALL PLATES	
CUSTOMER		
ACK No.		
Drawing No.	J7/02135	
	Sheet 2	