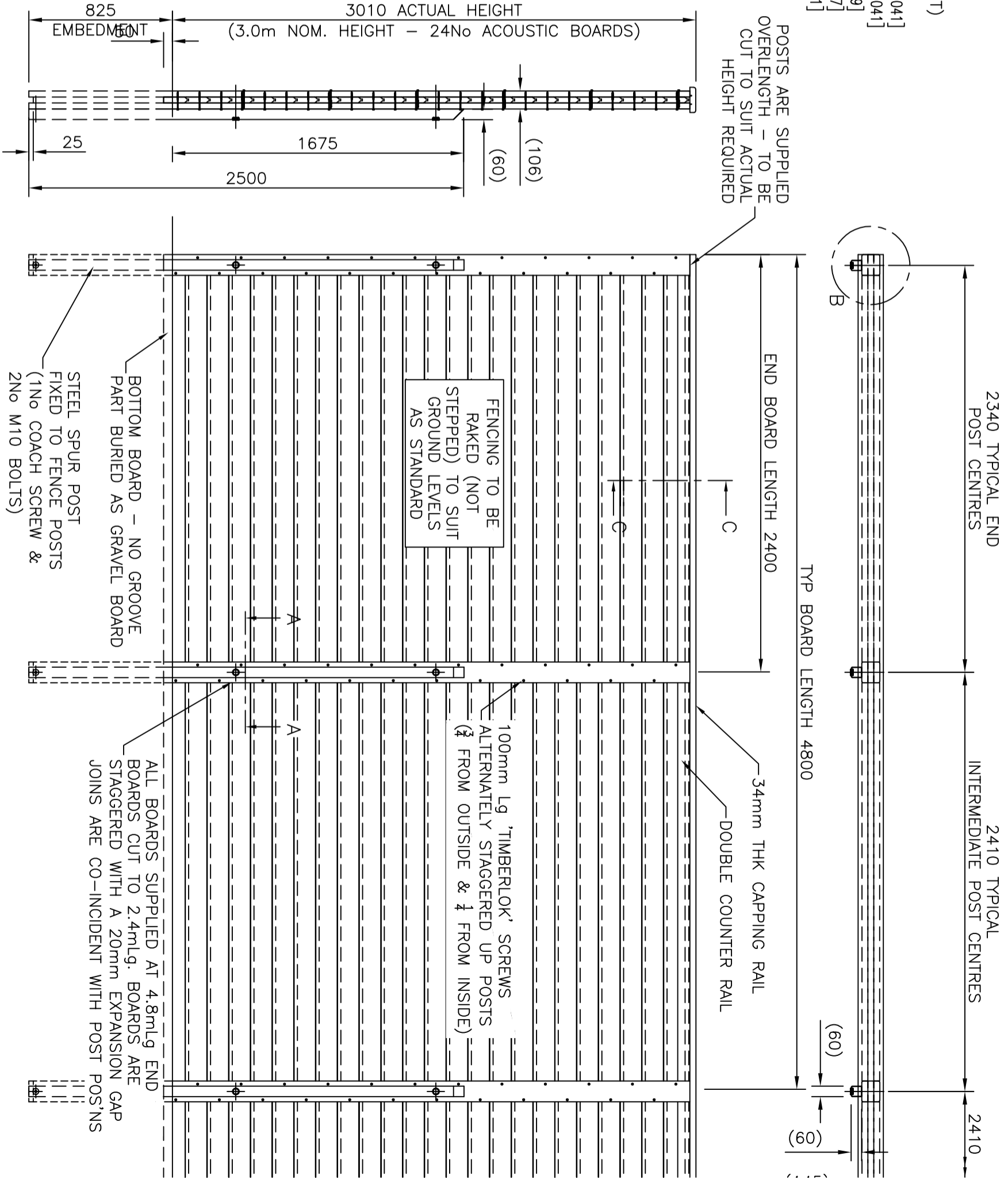
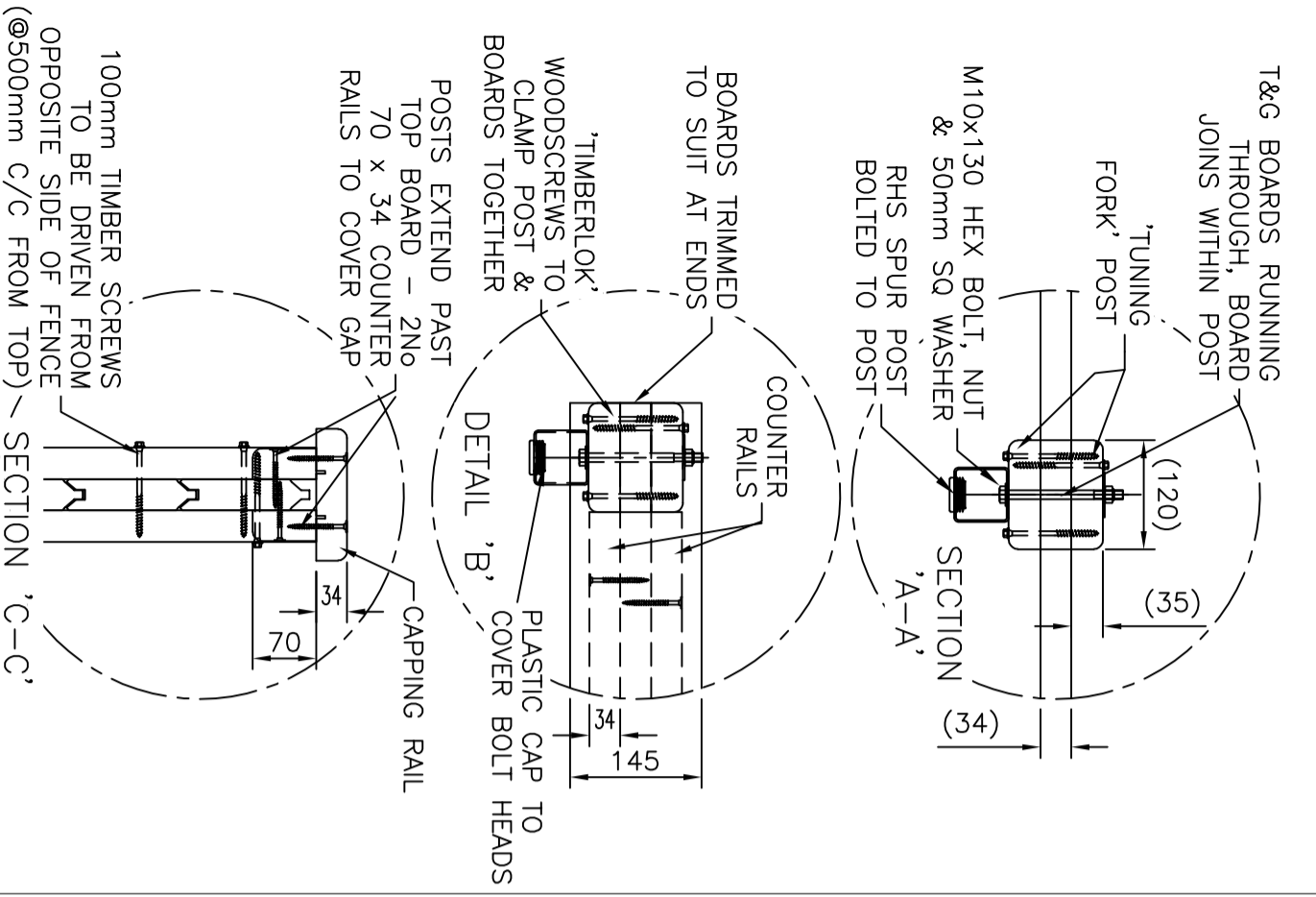


DO NOT SCALE - IF IN DOUBT ASK

NOTES

- MATLS**
- STEEL SPUR POSTS, GALVANISED & PPC BLACK
 - 60 x 60 x 2 SHS (SECTIONS VARY WITH HEIGHT)
 - TIMBER TREATED WITH 'JAKCURE' PROCESS
 - ACOUSTIC BOTTOM BOARD - 142.75 x 34 THK (123 Nom. FACE) [J7/01041]
 - ACOUSTIC T&G BOARDS - 142.75 x 34 THK (123 Nom. FACE) [J7/01041]
 - CAPPING RAIL - 145 x 34 THK PAR [J7/01059]
 - POST COVER BOARDS - 120 x 35 THK [J7/01097]
 - COUNTER RAIL - 70 x 34 THK PAR [J7/01061]

ALL FIXINGS ARE GALVANISED OR STAINLESS STEEL



VIEWED FROM OUTSIDE

JACKSONS
FINE FENCING

Stowling Common
Near Ashford,
KENT. TN25 6BN

Telephone : 01233 750393
Fax: 01233 750403
Int. Tel : +44 (0)1233 750393

This Drawing Is The Property Of H.S. Jackson & Son (Fencing) Ltd.
And May Not Be Copied Or Reproduced In Any Way Without Prior Written Permission.

8	16/03/18	TIMBER SCREWS
7	11/11/16	TIMBER DETAILS CORRECTED
6	24/08/16	RAKED NOTE ADDED
5	23/08/16	STEPPED NOTE ADDED
4	27/11/13	MATERIAL LIST REVISED
3	16/12/11	UPDATE

Drawn	JR	TITLE	DETAIL OF JAKOUSTIC FENCING SYSTEM - 3mH
Date	16/01/05	CUSTOMER	
Checked	AT	ACK No.	06 J7/01043
Size	A3	Scale	1:25 U.O.S.
Drawing No.		Sheet 1 - 3.0mH	