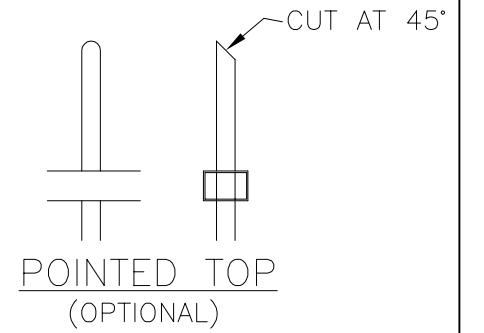
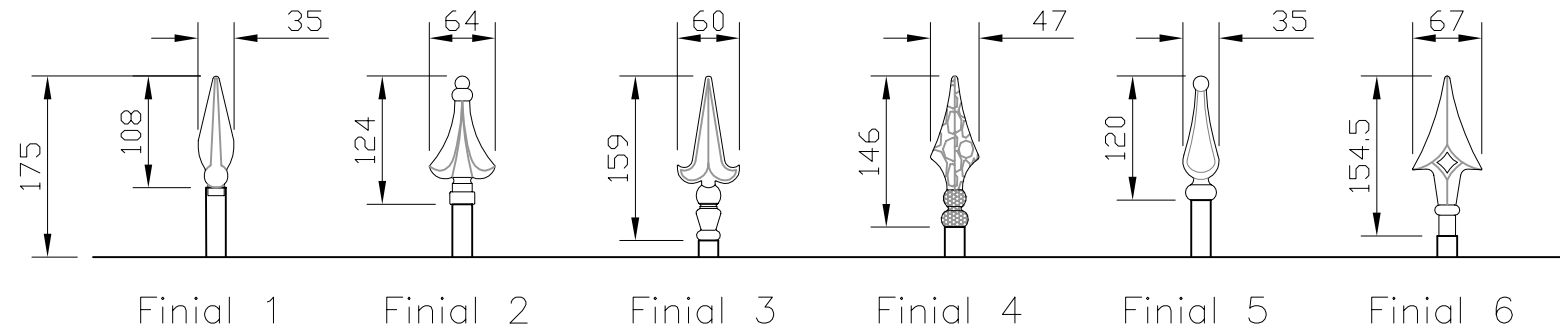
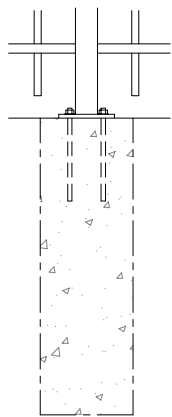
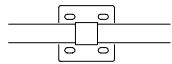


DO NOT SCALE – IF IN DOUBT ASK

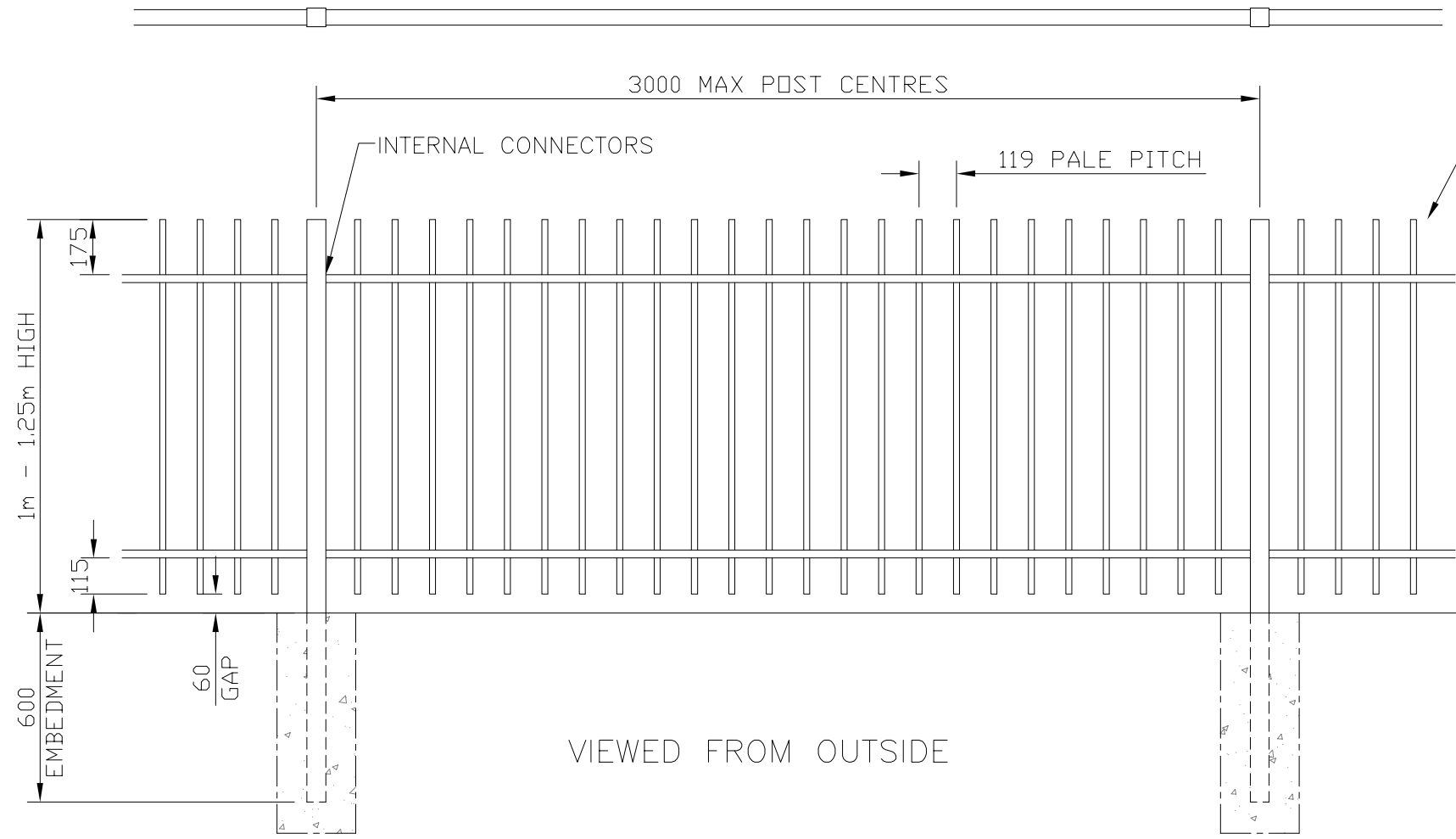
OPTIONAL FINIAL TOPPINGS



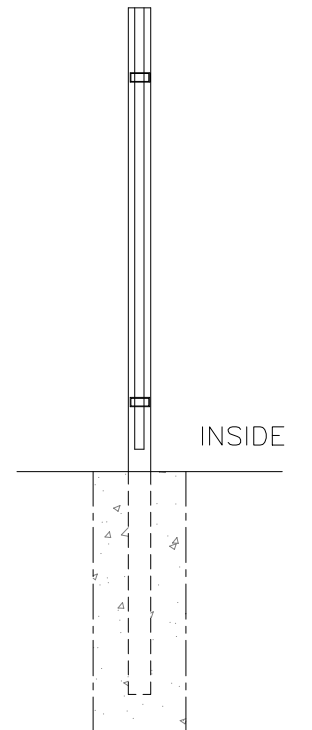
150 x 10 thk x 150
BASEPLATE DRILLED FOR
4 No. M12 CHEMICAL FIXINGS



BASEPLATED POSTS
(OPTIONAL)



FLAT TOP PALES AS STANDARD.
(CAN BE PLUGGED IF REQUIRED)
POINTED TOP AVAILABLE IF REQUIRED
BUT ONLY IF OVERALL FENCE HEIGHT
IS 1.5m MIN FROM GROUND LEVEL



NOTES.

ALL DIMENSIONS ARE IN mm (U.N.O)
GAPS UNDERNEATH FENCING ARE
NOMINAL DUE TO GROUND LEVELS.
FOUNDATION SIZES ARE DEPENDANT
UPON SITE CONDITIONS.

Materials.

POSTS – 60 x 60 x 2 RHS
RAILS – 50 x 25 x 2 RHS
PALES – Ø19 x 1.5 CHS

Finish.

GALVANISED TO BS EN ISO 1461:1999
POWDER COATED: IF REQUIRED

Jacksons
FINE FENCING

Stowing Common
Near Ashford,
KENT. TN25 6BN
Telephone : 01233 750393
Fax: 01233 750403
Int. Tel : +44 (0)1233 750393

② 09/01/14 Finial Heights Added
① 30/10/12 Finials Added
① 14/09/10 ORIGINAL ISSUE

Drawn CP

Date 14/09/10

Checked

Size A3 Scale 1:20 U.O.S

TITLE 1m – 1.25m HIGH BARB. IMPERIAL
'RESIDENTIAL' FENCING SALES DRAWING

CUSTOMER

ACK No.

Drawing No.

00 J1/01064

Sheet 8a of 16

This Drawing Is The Property Of H.S. Jackson & Son (Fencing) Ltd.
And May Not Be Copied Or Reproduced In Any Way Without Prior Written Permission.