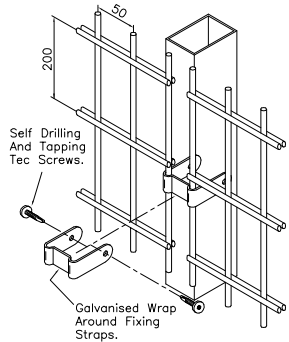
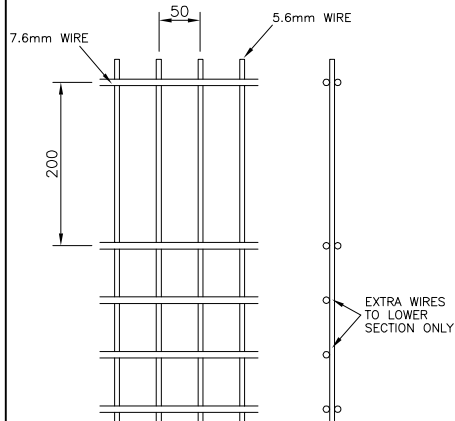


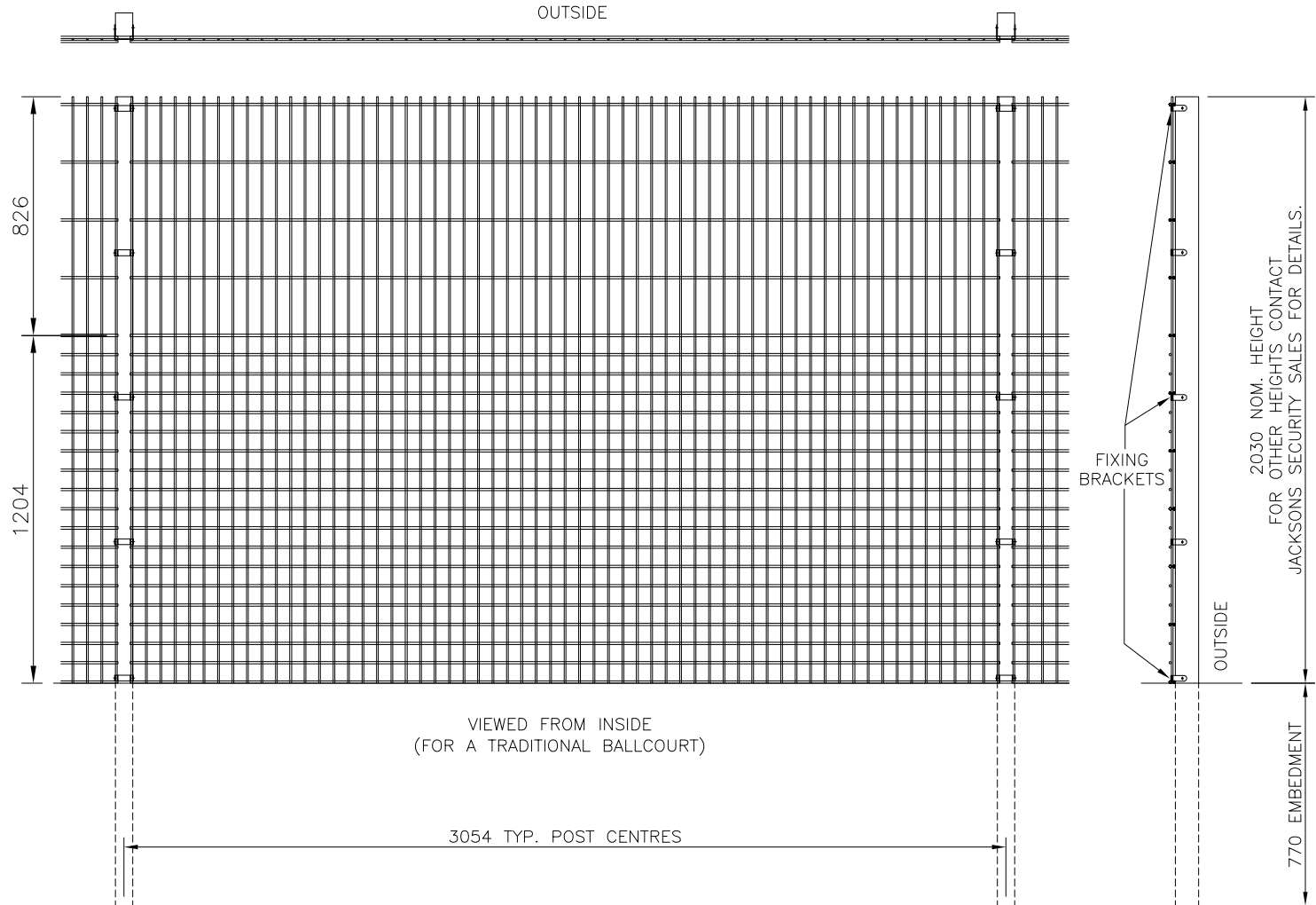
DO NOT SCALE – IF IN DOUBT ASK



FIXING DETAILS



MESH DETAILS



NOTES.

ALL DIMENSIONS ARE IN mm (U.N.O)  
GAPS UNDERNEATH GATES & FENCING  
ARE NOMINAL DUE TO GROUND LEVELS.

Materials.

FENCE POSTS – 80 x 60 x RHS  
REBOUND PANEL – Ø7.6mm HORIZONTAL WIRES  
REBOUND PANEL – Ø5.6mm VERTICAL WIRES

Finish.

GALVANISED TO BS EN ISO 1461:1999  
POWDER COATED: IF REQUIRED

**Jacksons**  
**FINE FENCING**

Stowting Common  
Near Ashford,  
KENT. TN25 6BN  
Telephone : 01233 750393  
Fax: 01233 750403  
Int. Tel : +44 (0)1233 750393

② 21/02/13  
① 10/11/09  
① 06/11/09

PANEL DETAILS  
POST EMBEDMENT  
Original Issue

Drawn WB	
Date	06/11/09
Checked	
Size	Scale 1:16
A3	U.O.S

TITLE		EUROGUARD REBOUND FENCING	
CUSTOMER		Drawing No.	
ACK No.		09 J6/01070	

This Drawing Is The Property Of H.S. Jackson & Son (Fencing) Ltd.  
And May Not Be Copied Or Reproduced In Any Way Without Prior Written Permission.