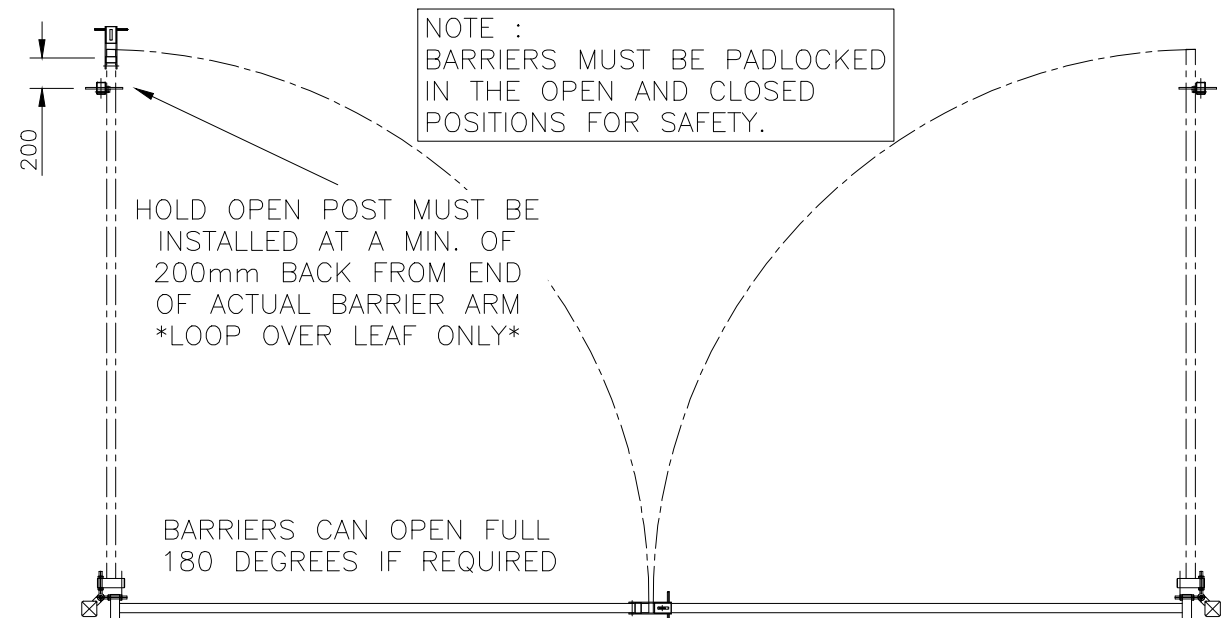
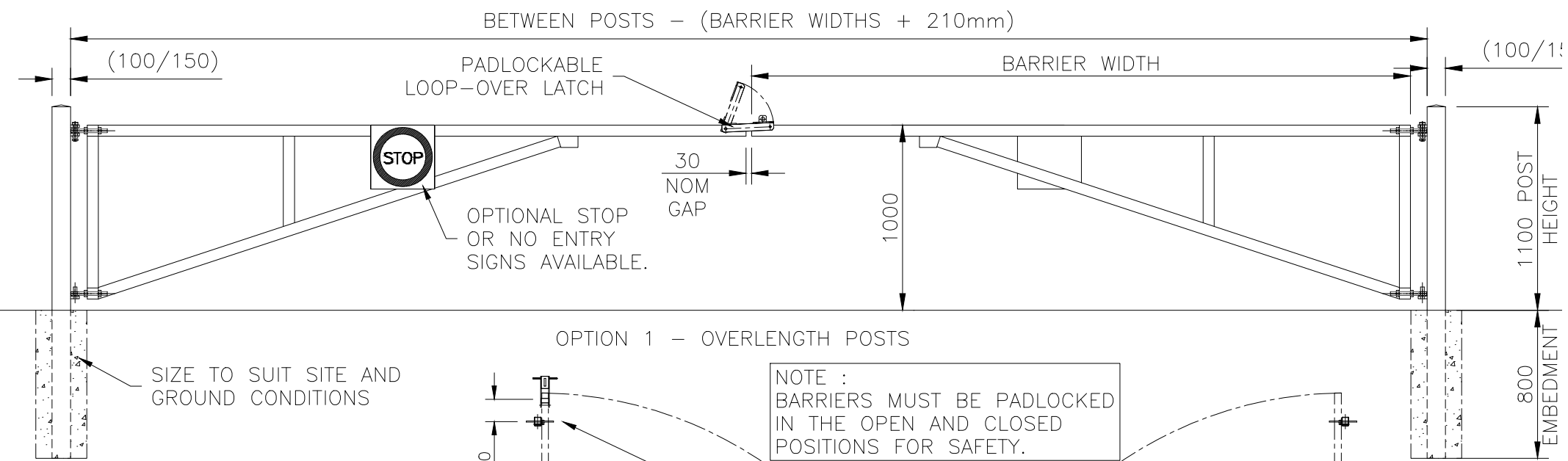
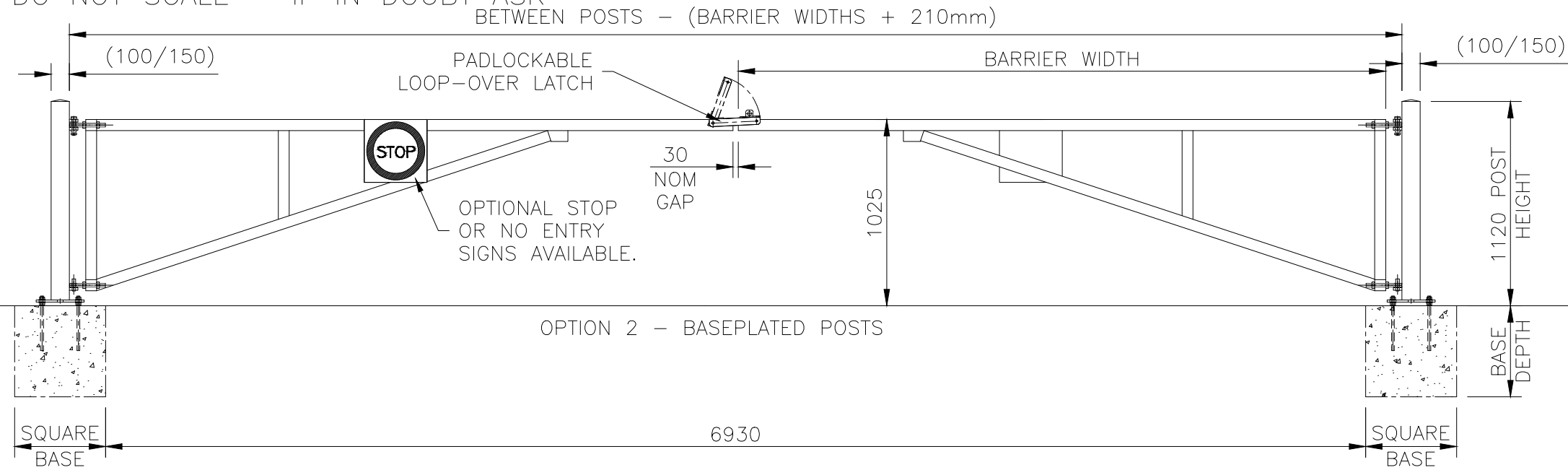


DO NOT SCALE – IF IN DOUBT ASK



**NOTES.**

ALL DIMENSIONS ARE IN mm (UNO)  
 HEIGHTS SHOWN ARE NOMINAL  
 DUE TO GROUND LEVELS.  
 FOUNDATIONS SHOWN ARE MINIMUM SIZES AND  
 SHOULD BE ASSESSED TO SUIT GROUND CONDITIONS  
 4/M16 CHEMICAL RESIN ANCHORS PER POST IF BASEPLATED

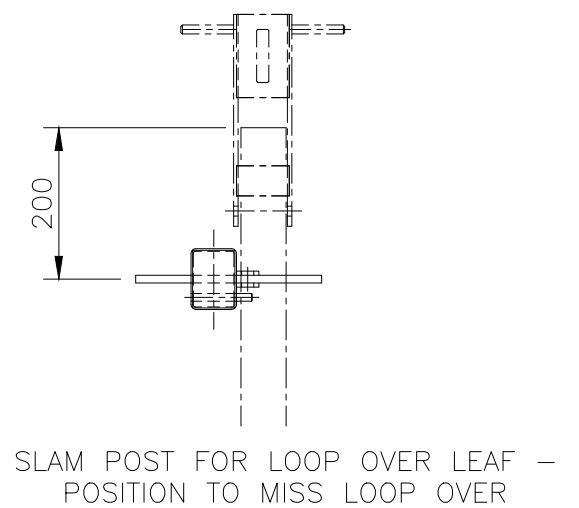
**MATERIALS.**

HANG POST (<=8.0m LEAF) 100 x 100 SHS  
 (>8.0m LEAF) 150 x 150 SHS  
 HOLD OPEN POST 80 x 60 RHS  
 BASEPLATES 12mm MS PLATE  
 BARRIER ARM: 60 x 60 SHS  
 TENSION WIRES ARE USED ON BARRIERS >8.0m LEAF

**FINISH.**

GALVANISED TO BS EN ISO 1461  
 POWDER COATED: IF REQUESTED

OVERALL BETWEEN POSTS	BARRIER WIDTH mm	HANG POST SIZE	HANG POST BASE SIZE (BASEPLATED)
6.2-8.2m	4000	100x100SHS	500 CUBE
8.4-12.2m	6000	100x100SHS	500 CUBE
12.4-16.2m	8000	100x100SHS	800 CUBE
16.4-18.2m	9000	150x150SHS	800 CUBE



**Jacksons**  
**FINE FENCING**

Stowting Common  
 Near Ashford,  
 KENT. TN25 6BN  
 Telephone : 01233 750393  
 Fax: 01233 750403  
 Int. Tel : +44 (0)1233 750393

- ⑥ 12/03/18 RE-DRAWN
- ⑤ 19/07/16 RE-DRAWN
- ④ 20/04/15 NEW BORDER
- ③ 21/04/06 NOTE: ADDED
- ② 09/08/05 POST SIZES UPDATED
- ① 23/03/95 GENERAL UPDATE

Drawn KKB  
 Date 03/03/94  
 Checked  
 Size A3 Scale NTS U.O.S

TITLE PAIRS OF WARDEN BARRIERS  
 STANDARD RANGE

CUSTOMER

Drawing No.

94 J4/04023

ACK No.

1 of 1