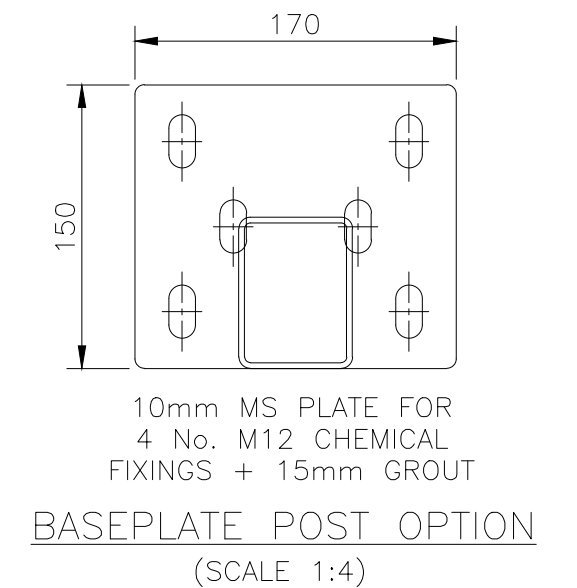
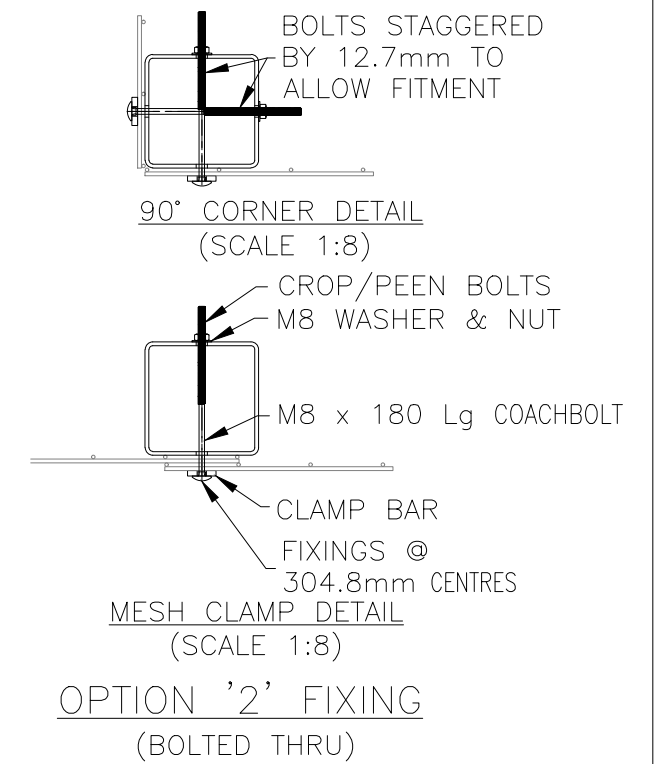
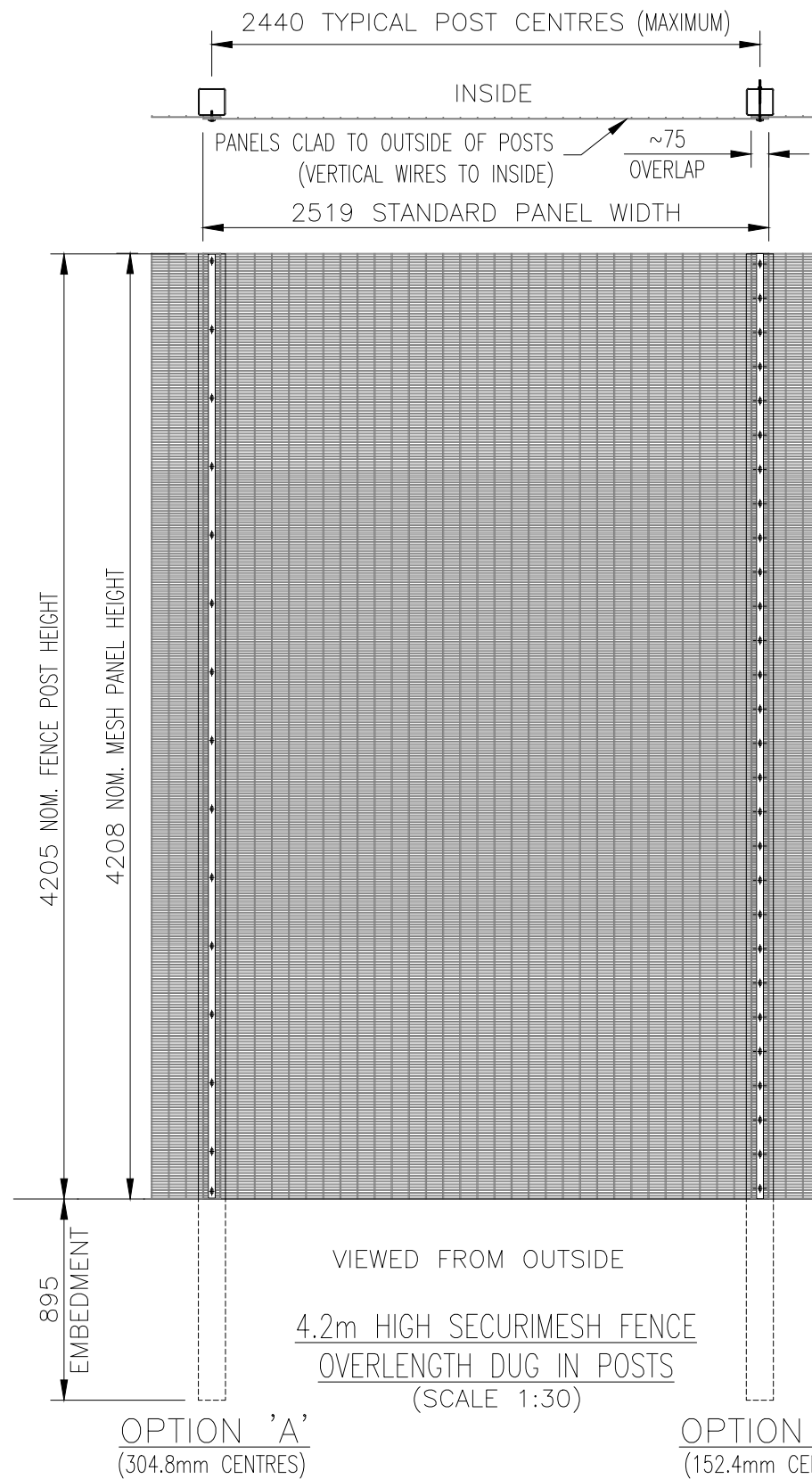


NOTES.
ALL DIMENSIONS ARE IN mm (UNO)
GAPS UNDER FENCING ARE NOMINAL DUE TO GROUND LEVELS.

MATERIALS.
FENCE POST: 120 x 120 SHS
CLAMP BARS: 30 x 6 MS FLAT

FINISH.
GALVANISED TO BS EN ISO 1461
POWDER COATED: IF REQUESTED



Jacksons
FINE FENCING

Stowting Common
Near Ashford,
KENT. TN25 6BN
Telephone : 01233 750393
Fax: 01233 750403
Int. Tel : +44 (0)1233 750393

DO NOT SCALE - IF IN DOUBT ASK

7	13/10/2016	MORE DETAILS ADDED
6	25/07/16	Clamp Bars & Options Added
5	03/02/15	Post Ctrs and Overlap
4	28/01/14	Post Section
3	07/06/13	Mesh detail updated

Drawn	WB
Date	13/10/2016
Checked	CJ
Size	A3
Scale	1:30 U.O.S

TITLE	SALES DRAWING 4.2m HIGH SECURIMESH FENCE
CUSTOMER	
Drawing No.	J6/04030 Sheet 5
ACK No.	

This Drawing Is The Property Of H.S. Jackson & Son (Fencing) Ltd.
And May Not Be Copied Or Reproduced In Any Way Without Prior Written Permission.